

GENERAL

This Instruction Sheet is used for the following kits:

109 172 197 Kit of Parts, 23-inch Frame

The 23-inch Frame kit can be used on either a LaserWave 600A EW or a 600B EW Lightguide Interconnect Unit (LIU). The extension plates included in this kit can be attached to the mounting brackets of the unit for mounting in a 23-inch frame. Mounting hardware and an instruction sheet are also included in this kit.

109 172 205 Kit of Parts, ETSI Frame

The ETSI Frame kit can be used on either a LaserWave 600A EW or a 600B EW Lightguide Interconnect Unit (LIU). The extension plates included in this kit can be attached to the mounting brackets of the unit for mounting in a European Telecommunications Standards Institute (ETSI) 515mm center-to-center frame. Mounting hardware and an instruction sheet are also included in this kit.

CUSTOMER SERVICES

- Report missing or damaged parts to Optical Fiber Solutions (OFS) Customer Service in Omaha, NE: (402) 691 4916.
- For technical assistance, contact:
 - Your local OFS Network Cable Systems Account Representative
 - OFS Network Products Group Technical Support in Atlanta, GA.

REFERENCES

636-299-112-1 600A Shelf Installation Procedure

636-299-112-2 600B Shelf Installation Procedure

TOOLS REQUIRED

The following tools are required for hardware installation:

23-inch Frame

- Phillips-head Screwdriver used for #12-24 Pan Head Phillips Screws
- Wrench (English) used for #10-32 Hex nuts.

ETSI Frame

- Phillips-head Screwdriver used for M6 Pan Head Phillips Screws
- Wrench (Metric) used for M5 Hex nuts.

INSTALLATION PARTS

FOR THE 109 172 197 – 23-INCH FRAME

The following items are provided with the Kit, see Figure 1

Item	Part Name	Comcode	Quantity
1	Plate, Extension – 23-inch Frame	848 826 715	2
2	Nut, Hex - #10-32 (Stainless Steel)		4
3	Washer, Lock - #10 (Stainless Steel)		4
4	Screw, Phillips Pan Head, #12-24x3/8 inch long (Stainless Steel)		4
5	Instruction Sheet	848 828 141	1

FOR THE 109 172 205 – ETSI FRAME

The following items are provided with the Kit, see Figure 1

Item	Part Name	Comcode	Quantity
1	Plate, Extension – ETSI Frame	848 826 723	2
2	Nut, Hex – M5x0.8 (Stainless Steel)		4
3	Washer, Lock – M5 (Stainless Steel)		4
4	Screw, Phillips Pan Head, M6x12 (Stainless Steel)		4
5	Instruction Sheet	848 828 141	1

INSTALLATION PROCEDURE

1. Attach both extension plates to the mounting brackets of the unit as shown in Figure 1 for the 600A EW LIU and Figure 2 for the 600B EW LIU.

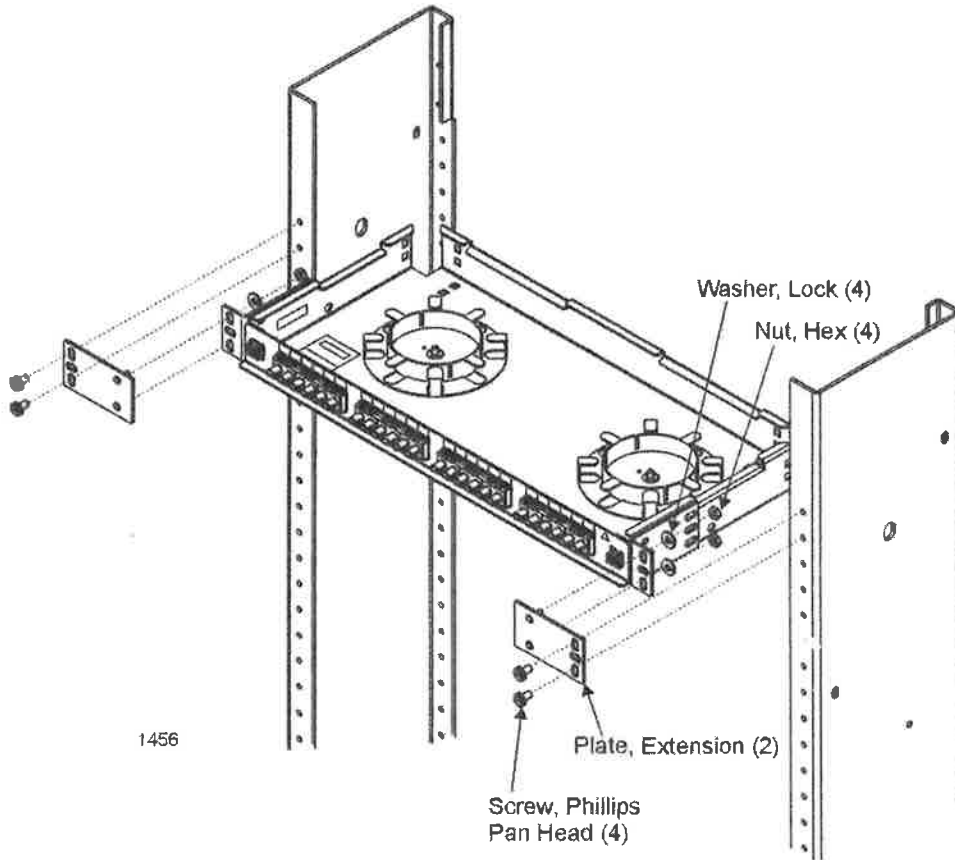


Figure 1. 600A EW LIU Installation

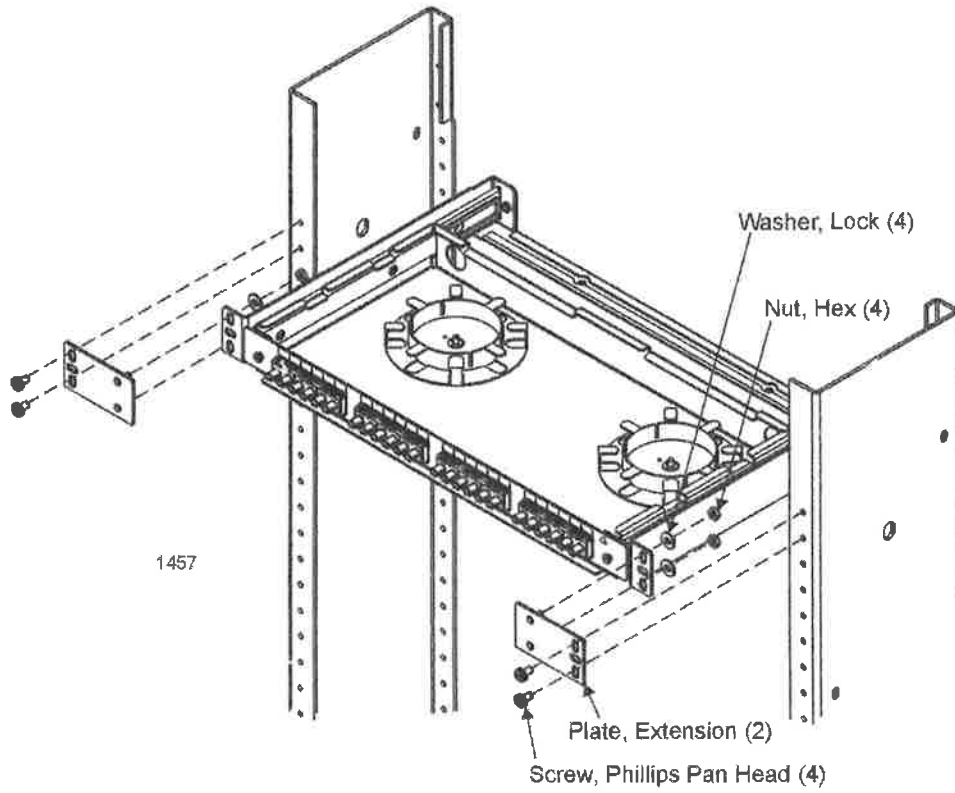


Figure 2. 600B EW LIU Installation